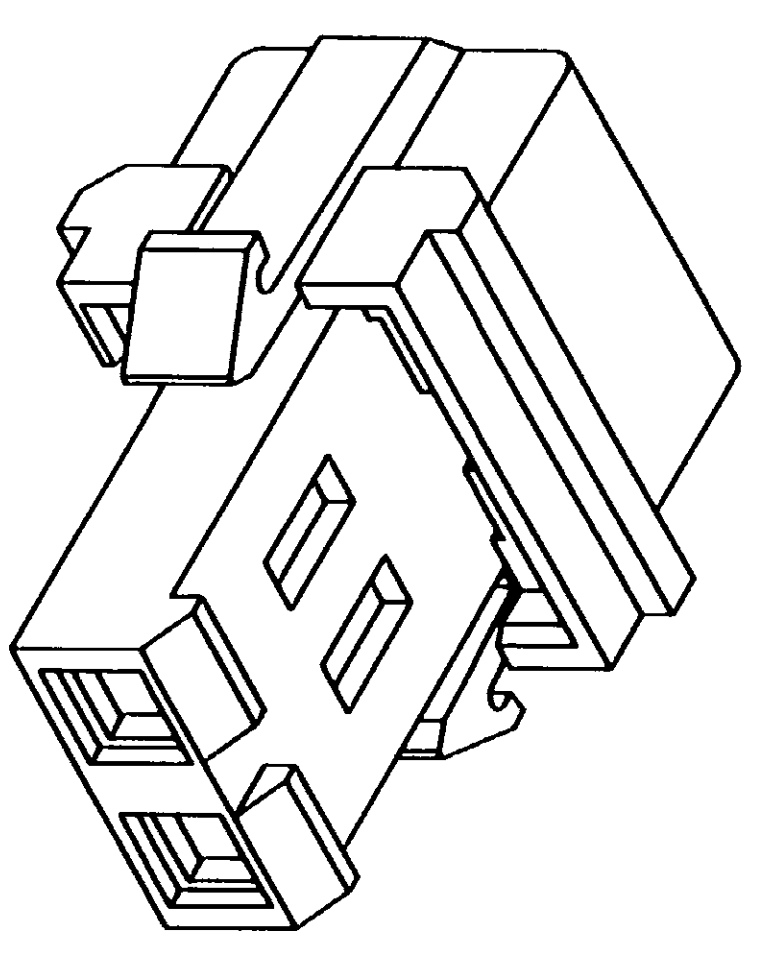
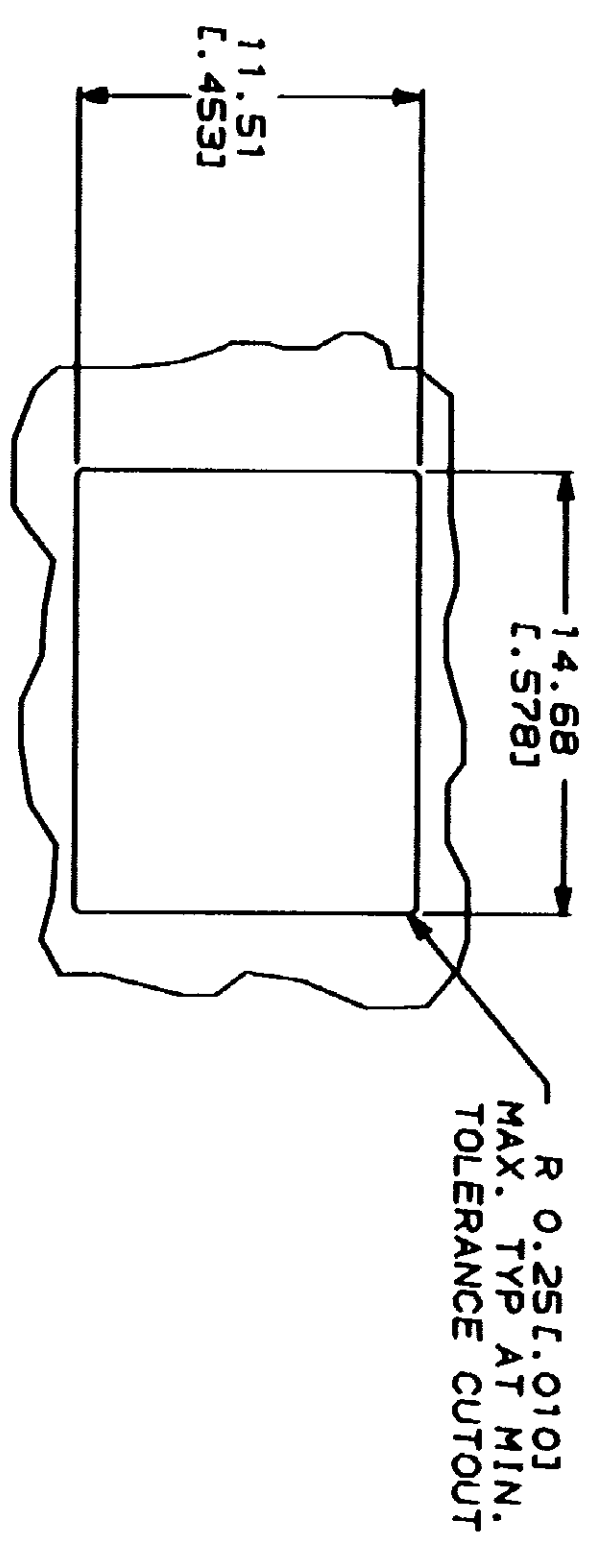


DRAWING MADE IN THIS MANUFACTURE SECTION  
 THIS DRAWING IS UNCLASSIFIED  
 BY AMP INFORMATION. ALL INTERNATIONAL RIGHTS RESERVED.

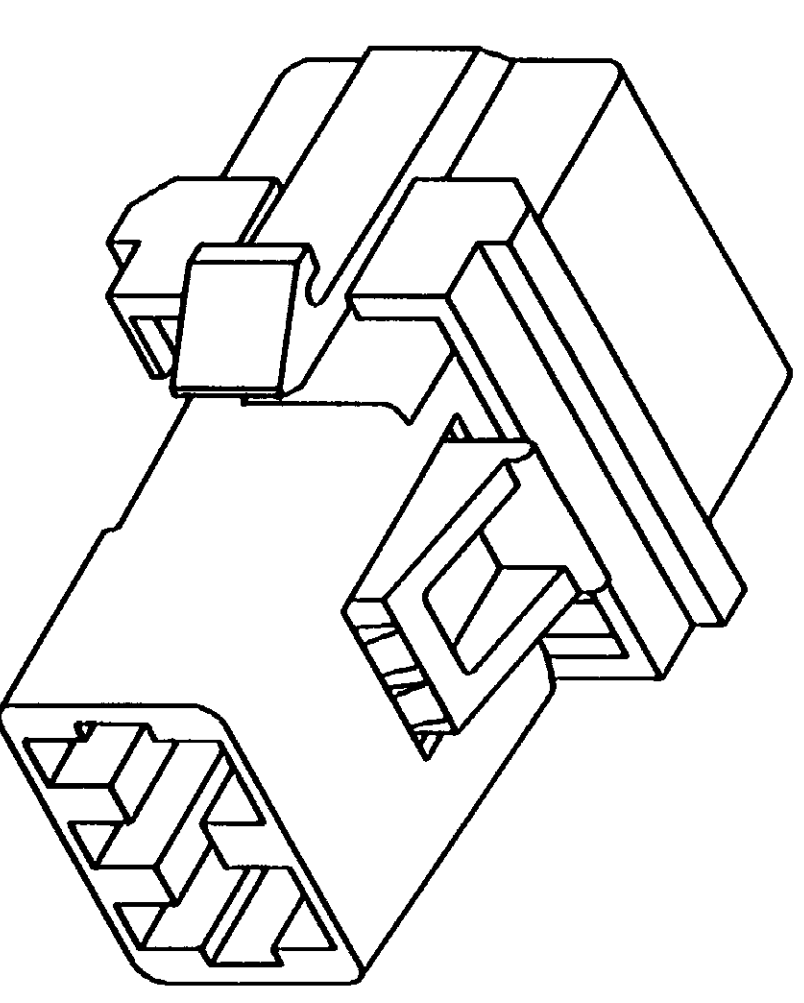
REV	DATE	BY	APP'D
1			
2			
3			
4			
5			
6			
7			
8			



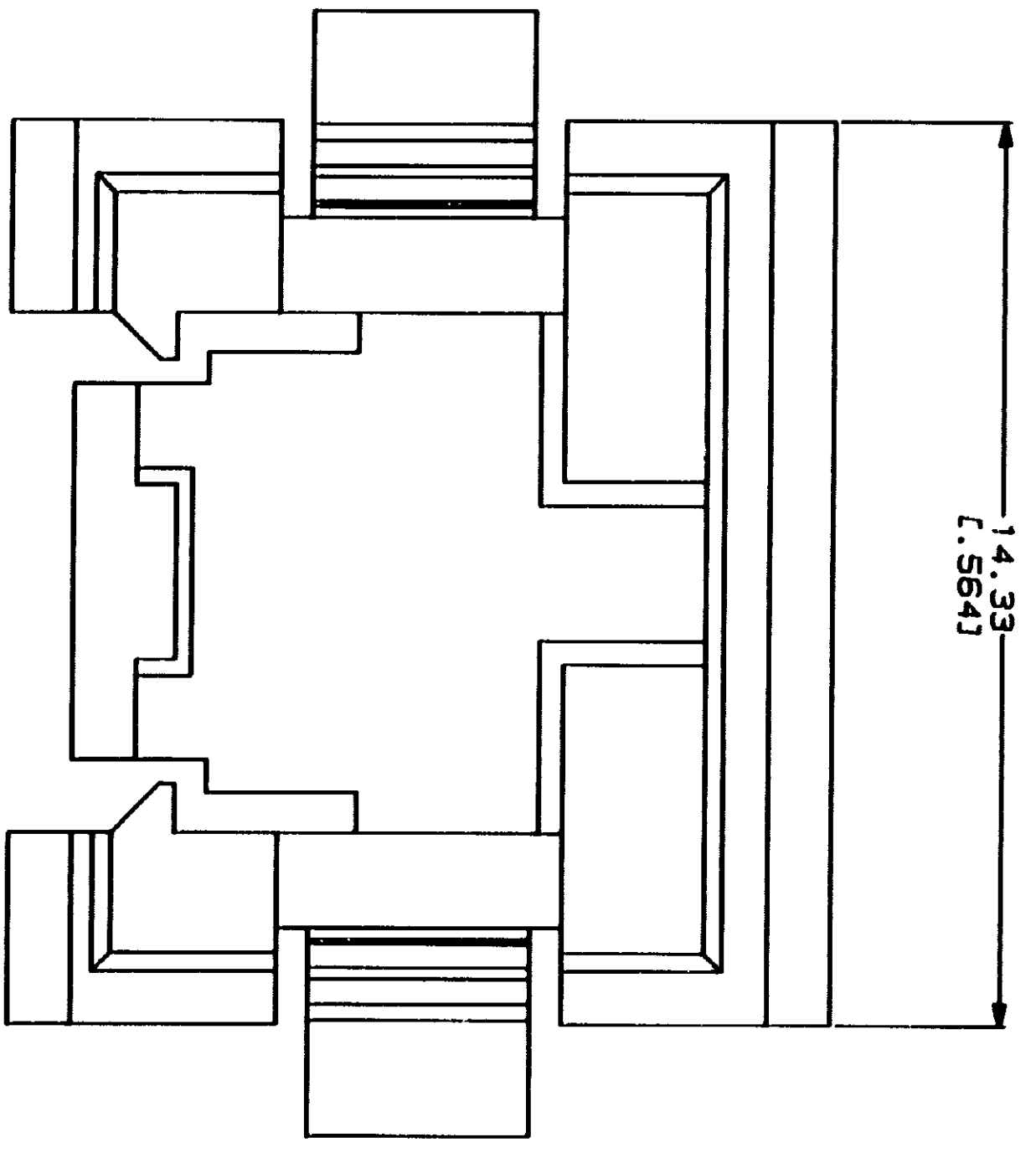
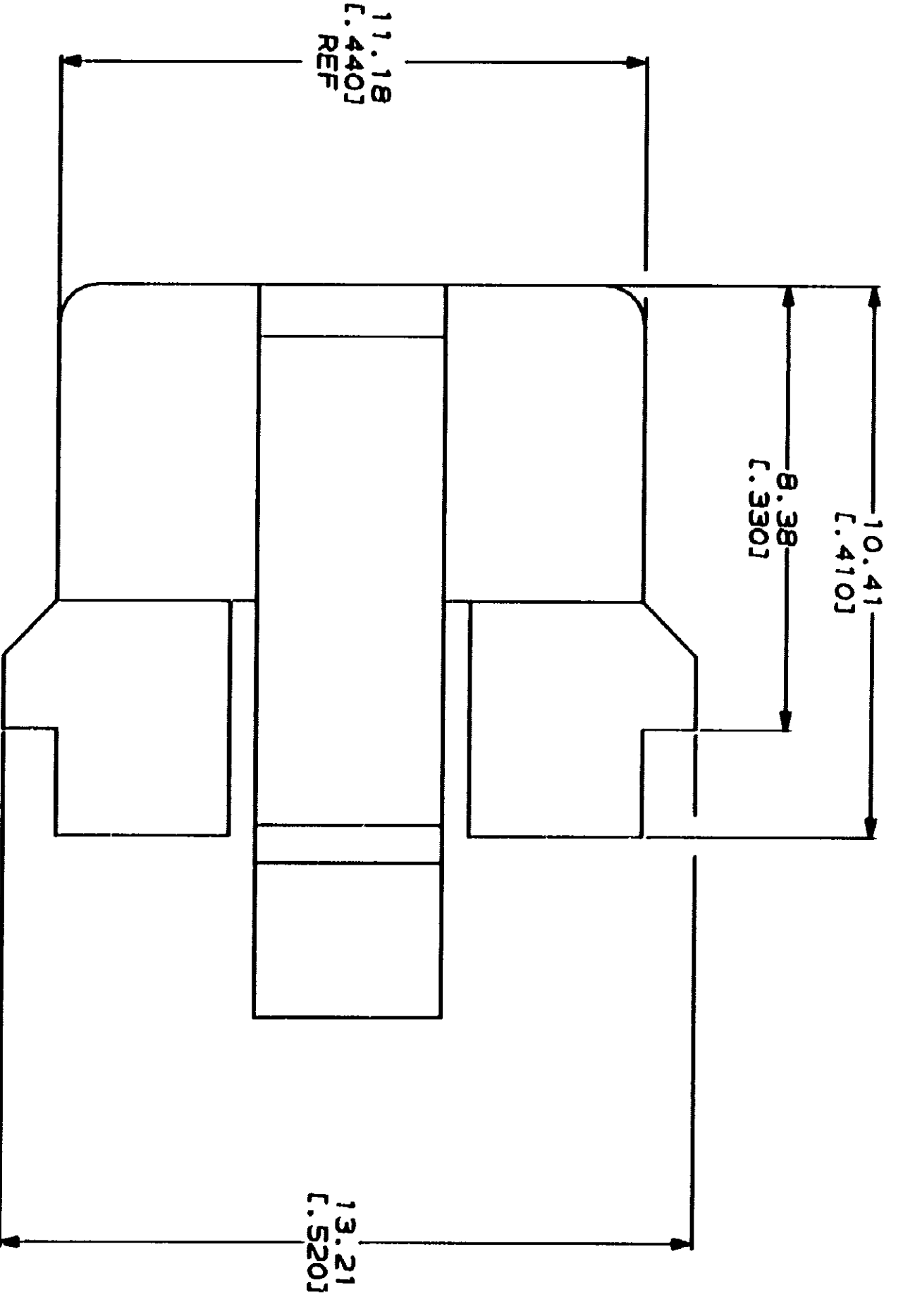
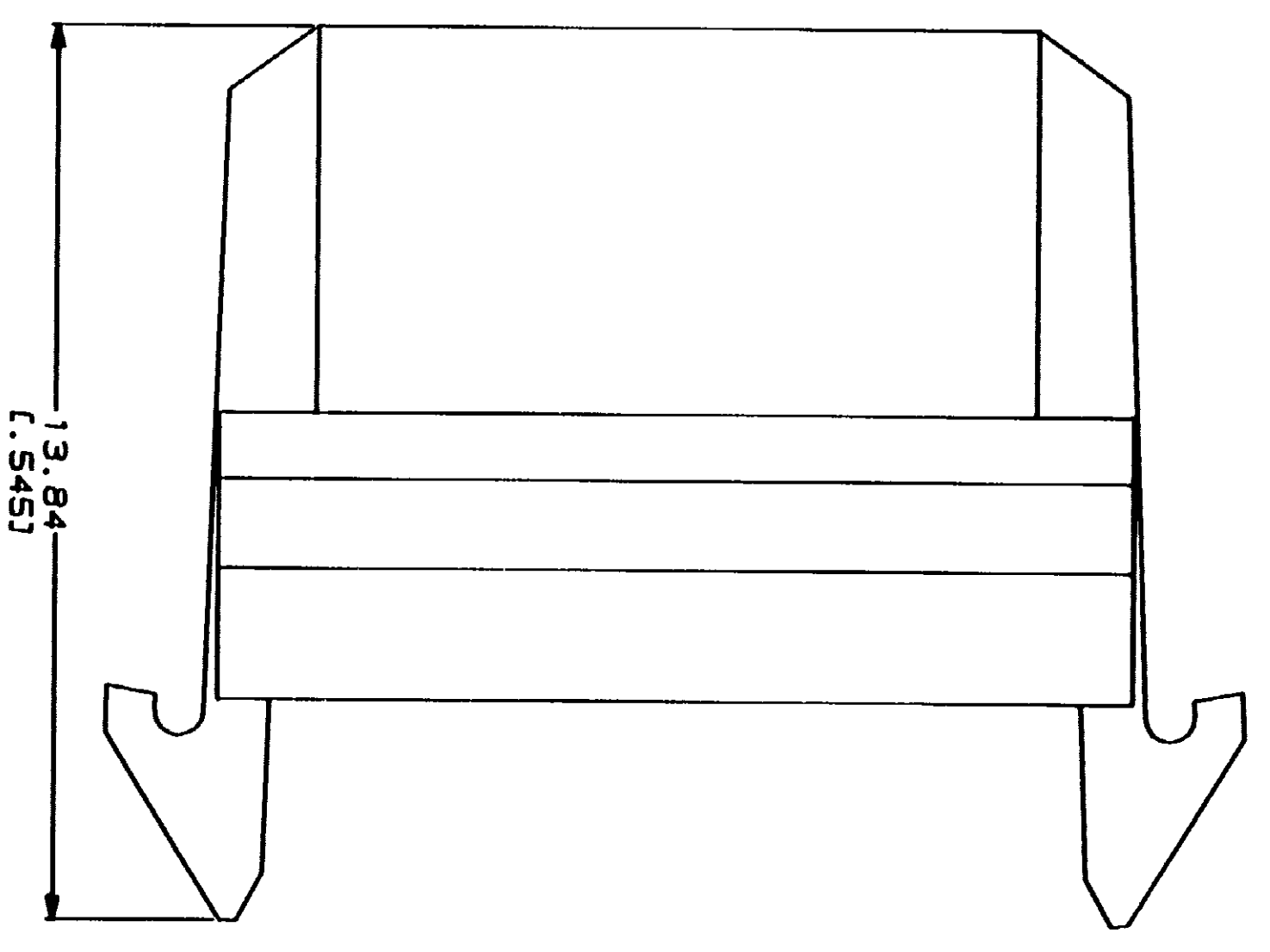
MTA 156 WIRE TO POST CONNECTOR WITH END CAP INSTALLED  
 (RECOMMENDED APPLICATION)



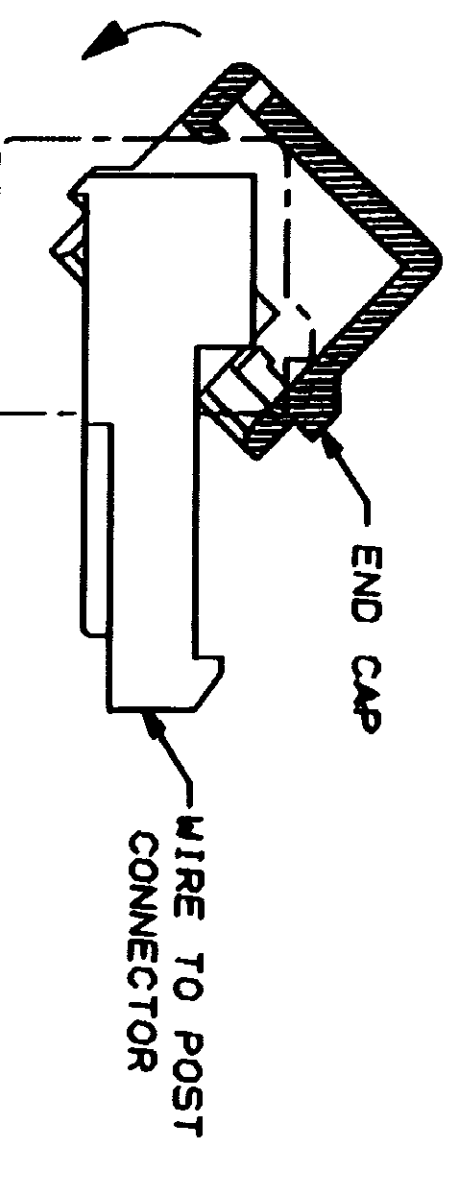
PANEL THICKNESS = 1.57(.062)  
 RECOMMENDED PANEL CUTOFF



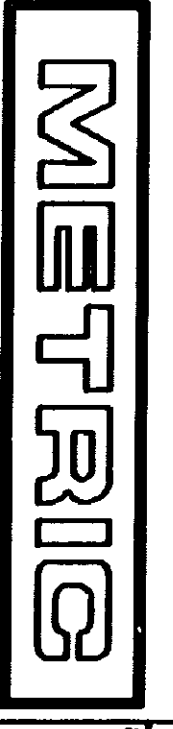
MTA 156 POSTED CONNECTOR WITH END CAP INSTALLED  
 (ALTERNATE APPLICATION)



1. DIMENSIONS IN BRACKETS ARE IN INCHES.



END CAP INSTALLATION METHOD



DO NOT SCALE PRINT. DIMENSIONS SPECIFIED IN MILLIMETERS (INCHES) TOLERANCES IN MILLIMETERS (INCHES) 2 P.C DEC 2 (0.12500) MATERIAL NYLON, 94V-2 RATED, BLACK		DR 8-12-83 OR 8-12-83 CHK R. SHUB	DATE 1-18-83	VALUE END CAP, PANEL MOUNTING, 2 POSITION, POSTED CONNECTOR, MTA-156
FINISH	APPLICATION SPEC	WEIGHT	SCALE 10:1	PART NO 641533-1
				AMP Incorporated Horseshoe, PA 17105-3608
				SHEET 1 OF 1

CUSTOMER DRAWING

APP 1283 15.01.0 AMP 029

A/C BUSINESS GROUP 2323 177-34 LARRY H. SMITH